

Roman Numerals

A letter placed *after* a greater value adds:
XVII = 10 + 5 + 1 + 1 = 17

A letter placed *before* a greater value subtracts:
XXIX = 10 + 10 + (10 - 1) = 29

I	1	XI	11	XXX	30
II	2	XII	12	XL	40
III	3	XIII	13	L	50
IV	4	XIV	14	LX	60
V	5	XV	15	LXX	70
VI	6	XVI	16	LXXX	80
VII	7	XVII	17	XC	90
VIII	8	XVIII	18	C	100
IX	9	XIX	19	D	500
X	10	XX	20	M	1,000

Fractions to Decimals

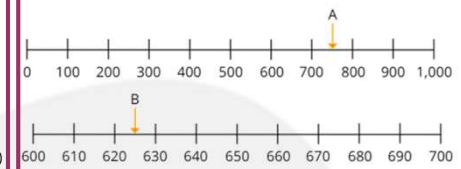
$\frac{1}{10} = 0.1$	$\frac{6}{10} = 0.6$	$\frac{1}{2} = 0.5$
$\frac{2}{10} = 0.2$	$\frac{7}{10} = 0.7$	$\frac{1}{4} = 0.25$
$\frac{3}{10} = 0.3$	$\frac{8}{10} = 0.8$	$\frac{3}{4} = 0.75$
$\frac{4}{10} = 0.4$	$\frac{9}{10} = 0.9$	$\frac{1}{100} = 0.01$
$\frac{5}{10} = 0.5$	$\frac{10}{10} = 1$	$\frac{23}{100} = 0.23$

Year Four Maths Organiser



Round to the nearest 10
54 → 50
55 → 60
313 → 310
549 → 550

Round to the nearest 100
4.15 → 4.00
950 → 1,000
4,661 → 4,700
7,221 → 7,200



Place Value Grid

tens of thousands	thousands	hundreds	tens	ones		tenths	hundredths
10,000	1,000	100	10	1	●	0.1	0.01

Greater Than
8 > 5
Less Than
5 < 8
Equal To
7 = 7

Multiplication Tables

X	10	5	2	4	8	3	6	7	9	11	12
1	10	5	2	4	8	3	6	7	9	11	12
2	20	10	4	8	16	6	12	14	18	22	24
3	30	15	6	12	24	9	18	21	27	33	36
4	40	20	8	16	32	12	24	28	36	44	48
5	50	25	10	20	40	15	30	35	45	55	60
6	60	30	12	24	48	18	36	42	54	66	72
7	70	35	14	28	56	21	42	49	63	77	84
8	80	40	16	32	64	24	48	56	72	88	96
9	90	45	18	36	72	27	54	63	81	99	108
10	100	50	20	40	80	30	60	70	90	110	120
11	110	55	22	44	88	33	66	77	99	121	132
12	120	60	24	48	96	36	72	84	108	132	144

Addition

Subtraction

Multiplication

Division

Symmetry - regular polygons

equilateral triangle	square	pentagon	hexagon	octagon

Symmetry - irregular polygons

rectangle	trapezium	rhombus	parallelogram	kite

Measurements

mm in a cm	10 mm = 1 cm	m in a km	1,000 m in 1 km
mm in a m	1,000 mm = 1 m	g in a kg	1,000g = 1 kg
cm in a m	100 cm = 1 m	ml in a l	1,000 ml = 1 l
60 seconds in a minute	60 minutes in an hour	24 hours in one day	
7 days in a week		12 months in one year	

12-hour time

5:09 am
10:17 am
1:45 pm
8:39 pm

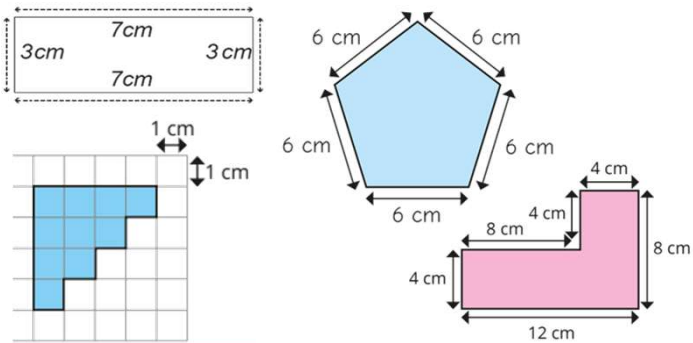
24-hour time

05:45
10:17
13:45
20:39

Money

1 pence 1p	2 pence 2p	5 pence 5p	10 pence 10p	20 pence 20p	50 pence 50p
1 pound £1	2 pound £2	5 pound £5	10 pound £10	20 pound £20	50 pound £50

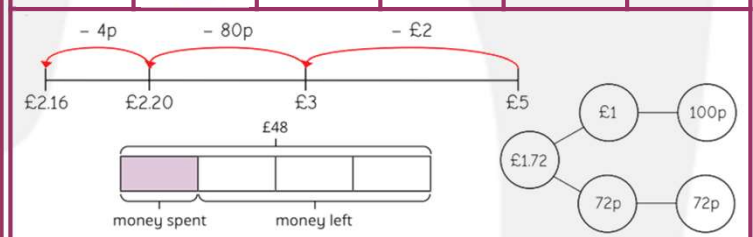
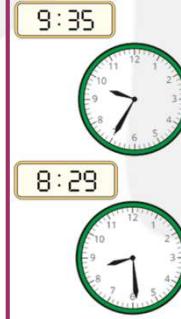
Perimeter



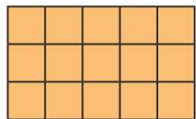
Days in a Month

January	31	July	31
February	28	August	31
March	31	September	30
April	30	October	31
May	31	November	30
June	30	December	31

Time



Area



There are 3 rows altogether.
There are 5 squares in a row.
3 rows of 5 squares = 15 squares
The area of the shape is 15 squares.

Angles

Acute Angle	Right Angle	Obtuse Angle	Parallel	perpendicular